

RCEL005/005L Technical Data

Electric Actuators

Performance

Type	Max torque Nm	Op. time sek 90° 50Hz/60Hz	Square drive	Weight kg	No. of handle turns	Current draw max. A 1-ph 24VAC	Current draw max. A 24VDC	Current draw max. A 1-ph 110V	Current draw max. A 1-ph 230V
RCEL005	50	17/14	14	2,8	6	1,8	1,8	0,35	0,23
RCEL005L	50	17/14	14	3,2	6	1,8	1,8	0,35	0,23

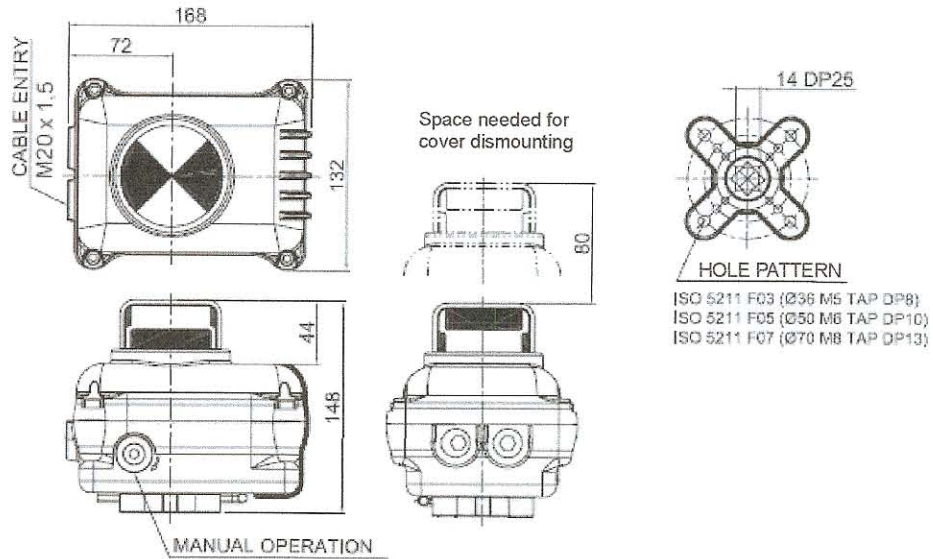
Standard specification

Enclosure:	IP68 Nema 4 and 6
Ambient Temp:	-20 °C to +70 °C
Power Supply:	110/230VAC, 1Phase ±10 % 24VDC (Option: 24VAC). 50Hz/60Hz
Limit Switches:	Open/Close, 2+2 pcs
Stall Protection:	Built-in Thermal Protection Cut-off at 120 °C
Travel Angle:	90°± 5°
Indicator:	Continuous Position Indicator Illuminated at fully open or fully closed position
Manual Override:	Allen key (6mm)
Worm Gear:	Permanently lubricated and Selflocking
Space Heater:	2W (110/230VAC & 24VDC) Anti-condensation
Conduit Entries:	M20 x 1,5
Lubrication:	Grease Moly (EP-type)
Materials:	Steel, Aluminium Alloy, Al Bronze
External coating:	Anodized and Dry Powder Polyester

Optional items

LCU	Local Control Unit Local/Off/Remote Selector S/W Open/Stop/Close Selector S/W
PIU	Potentiometer Unit 1k Ohm
CPT	Current Position Transmitter Output signal: 4-20mA DC
PCU	Proportional Control Unit Input signal: 4-20mA, 2-10V DC Output signal: 4-20mA DC

RCEL 005



RCEL 005L

