

# RCM 700 Sureclose Actuators



The Failsafe Electro/Hydraulic Actuator consists of a single acting spring return actuator for fail safe operation, mounted electric motor, hydraulic pump and reservoir. The actuator is modified for hydraulic service which includes a bleeder to purge air from the system. The pump is driven by a totally enclosed fan cooled single phase motor. In the event of a power loss, the valve will automatically go to the fail position (counter-clockwise or clockwise) by means of the springs in the actuator.

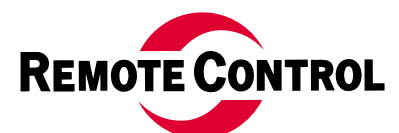
## OPTIONS

- Increased or reduced speeds
- M-1 handwheel manual overrides
- Explosion – proof motors, switches and solenoid valves
- Wash down motors
- Heater and thermostats
- Single phase –120 VAC, 220 VAC, 3-phase voltages
- 4-20MA DC 0 –10 VDC, or 1-5 VDC for modulation
- 4-20MA DC feedback
- Other voltages available on request

**NOTE:** We prefer to quote actuator to valve mounting hardware in all cases since the power unit reservoir and actuator are provided as a package.

## FEATURES

- Springs equal to 100 PSI torque output
- Limit switch to shut down pump when valve reaches open/closed position
- Two additional switches for open/close indication
- Painted carbon steel mounting brackets unless specified otherwise
- 4-20MA positioners in either weather or explosion proof versions



### TECHNICAL DATA

**Pump:** Gear-Type pump, capacity 3.70 gallons/minute M404 Model.  
Opening and closing stroke times at +70° F ambient temperature.

RCI 230SRH-100/M404 .....	3 – 5 seconds
RCI 240SRH-100/M404 .....	5 – 10 seconds
RCI 250SRH-100/M404 .....	10 – 15 seconds
RCI 260SRH-100/M404 .....	15 – 20 seconds
RCI 265SRH-100/M404.....	25 – 35 seconds
RCI 270SRH-100/M404 .....	35 – 50 seconds
RCI 280SRH-100/M404 .....	75 – 100 seconds
RCI 88SRH-100/M404 .....	250 – 300 seconds
RCI 90SRH-100/M404 .....	150 – 200 seconds
RCI 100SRH-100/M404 .....	250 – 300 seconds

NOTE: Failure and power stroke times can be altered through variations of the standard package.

#### Pump Pressure

Factory set between 100 and 140 PSI

#### Motor

1/2 HP, 3450 RPM, 115/230/60, single phase

#### Operating Temperature Range

-5° F to 130° F

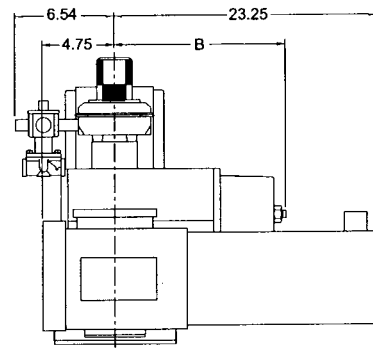
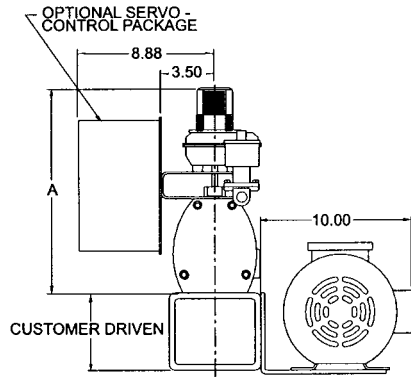
#### Oil Type

Mobil DTE 24 or equivalent

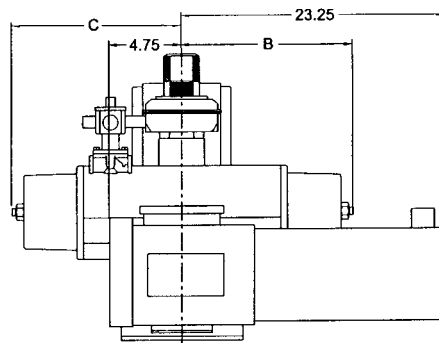
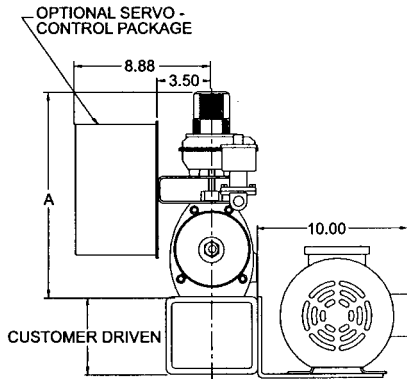
### TORQUE OUTPUT

\*Larger torques available on request – POA

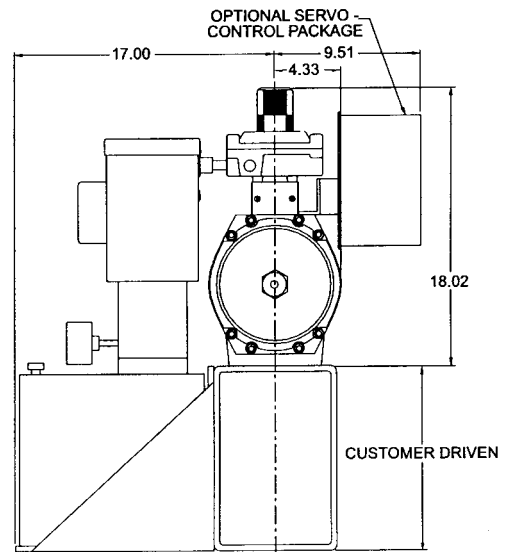
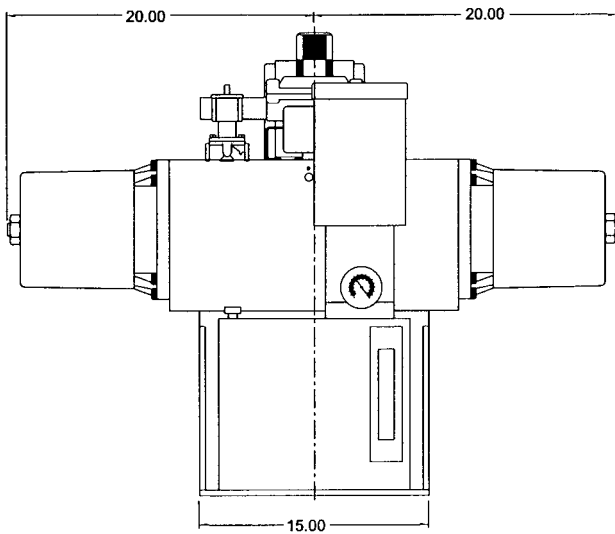
Type	HYDRAULIC PRESSURE			SPRING		
	Opens CCW Rotation			Closes CW Rotation		
	0°	60°	90°	90°	30°	0°
RCI 230SRH-100/M404	830	310	400	635	309	460
RCI 240SRH-100/M404	1665	665	840	1330	620	930
RCI 250SRH-100/M404	2745	975	1240	1990	930	1415
RCI 260SRH-100/M404	5530	2125	2655	4070	1990	3010
RCI 265SRH-100/M404	7149	2782	3767	6337	3135	4375
RCI 270SRH-100/M404	11154	4290	5310	8410	3980	5105
RCI 280SRH-100/M404	22125	8850	11060	17170	8320	12480
RCI 88SRH-100/M404	44250	17700	22125	34295	16595	24870
RCI 90SRH-100/M404	44250	17257	21240	33630	15930	24337
RCI 100SRH-100/M404	88500	35400	44250	68587	33187	49737



RCI 230, 250, 270

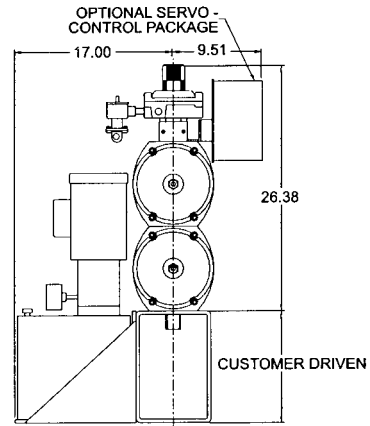
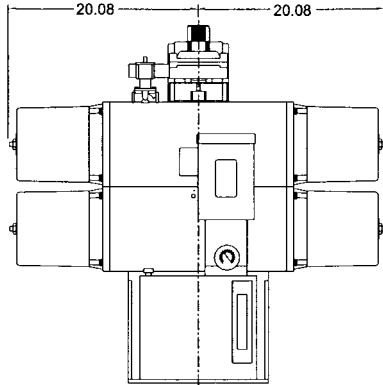


RCI 240, 260

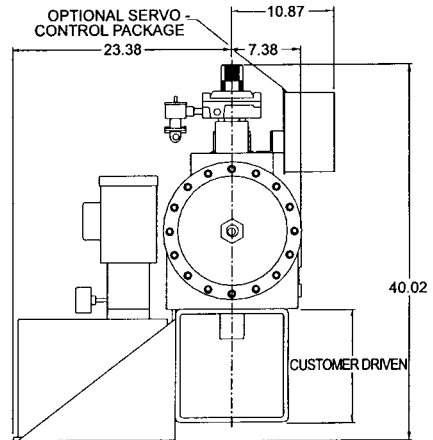
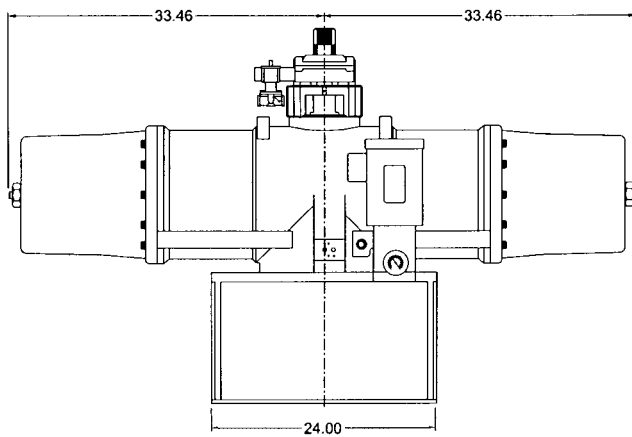


RCI 280

	A	B	C
RCI 230SR	11.51	7.7	--
RCI 240SR	11.51	7.7	7.7
RCI 250SR	13.36	11.2	--
RCI 260SR	13.36	11.2	11.2
RCI 270SR	17.02	20.1	--



RCI 88-SR



RCI 100-SR